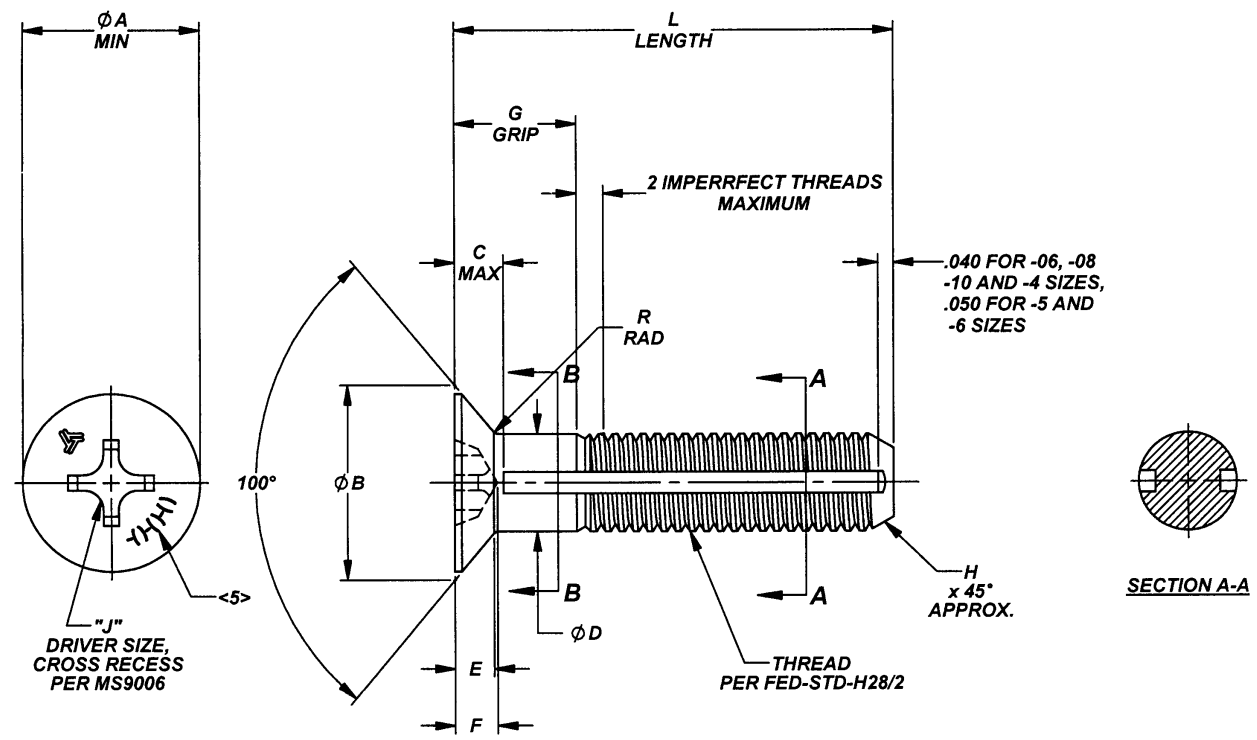


MANUFACTURE OF THE PROPRIETARY PARTS SHOWN HERE WITHOUT WRITTEN CONSENT IS ABSOLUTELY PROHIBITED



THIS DRAWING EMBODIES A CONFIDENTIAL, PROPRIETARY DESIGN & ALL DESIGN, MANUFACTURING PRODUCTION, USE & SALE RIGHTS REGARDING SAME ARE EXPRESSLY RESERVED.

TABLE 1

FIRST DASH NO.	THREAD SIZE	ϕA MIN	ϕB	C MAX	ϕD	E REF	F MAX	G GRIP	H	J SIZE	L LENGTH	R RAD	ULTIMATE TENSILE STRENGTH MIN. <9>	ULTIMATE SHEAR STRENGTH MIN. <9> SECTION A-A	ULTIMATE SHEAR STRENGTH MIN. <9> SECTION B-B
-06	.1380-32 UNC-3A	.231	.279 .267	.095	.1375 .1365	.057	.086	SEE SHEETS 2,3, & 4	.030	#2	SEE SHEETS 2,3, & 4	.020 .010	1,020 LBS.	630 LBS.	940 LBS.
-08	.1640-32 UNC-3A	.270	.332 .319	.100	.1635 .1625	.068	.101		.030	#2		.020 .010	1,600 LBS.	980 LBS.	1,365 LBS.
-10	.1900-32 UNF-3A	.322	.385 .371	.100	.1895 .1885	.080	.116		.030	#2		.020 .010	2,350 LBS.	1,440 LBS.	1,890 LBS.
-4	.2500-28 UNF-3A	.442	.507 .491	.140	.2495 .2485	.106	.135		.035	#3		.020 .010	4,470 LBS.	2,740 LBS.	3,465 LBS.
-5	.3125-24 UNF-3A	.568	.635 .617	.165	.3120 .3110	.133	.168		.040	#4		.020 .010	7,160 LBS.	4,390 LBS.	5,480 LBS.
-6	.3750-24 UNF-3A	.694	.762 .742	.195	.3745 .3735	.160	.193		.040	#4		.020 .010	11,020 LBS.	6,750 LBS.	8,050 LBS.

INTERIM DOCUMENT REVISION		
Rev.	Date	DAF#
D1	10/8/2018	117431

APPROVED DATE
20 FEB 91

REV. LETTER AND DATE
D 28 FEB 13

DAF NUMBER
DAF 403678

CURRENT DESIGN ACTIVITY:

ARCONIC
Arconic Fastening Systems

TRIDAIR PRODUCTS
3000 W. LOMITA BLVD.
TORRANCE, CA 90505

TITLE:
**SCREW, CAPTIVE, 100° HEAD,
CRES, 155 KSI**

UNLESS OTHERWISE SPECIFIED
DIMENSIONS ARE IN INCHES &
ASME Y14.5M TOLERANCES:

ANGLES = ±3°
DECIMALS .XX = ±.02
.XXX = ±.010

CURRENT DESIGN ACTIVITY:

CAGE CODE: 29372

SALES DRAWING NO.
CA2229-()-()-()

SHEET 1 OF 4

S43266

PROJECT NUMBER: 08J116

TABLE 2

.1380-32 SIZE FIRST DASH NO. -06							
G GRIP							L LENGTH
.125	.156	.187	.218	.250	.281	.312	
- 4 - 5	- 5 - 5	-----	-----	-----	-----	-----	.312
- 4 - 6	- 5 - 6	- 6 - 6	- 7 - 6	-----	-----	-----	.375
- 4 - 7	- 5 - 7	- 6 - 7	- 7 - 7	- 8 - 7	-----	-----	.437
- 4 - 8	- 5 - 8	- 6 - 8	- 7 - 8	- 8 - 8	- 9 - 8	-----	.500
- 4 - 9	- 5 - 9	- 6 - 9	- 7 - 9	- 8 - 9	- 9 - 9	- 10 - 9	.562
- 4 - 10	- 5 - 10	- 6 - 10	- 7 - 10	- 8 - 10	- 9 - 10	- 10 - 10	.625
- 4 - 11	- 5 - 11	- 6 - 11	- 7 - 11	- 8 - 11	- 9 - 11	- 10 - 11	.687
- 4 - 12	- 5 - 12	- 6 - 12	- 7 - 12	- 8 - 12	- 9 - 12	- 10 - 12	.750
- 4 - 13	- 5 - 13	- 6 - 13	- 7 - 13	- 8 - 13	- 9 - 13	- 10 - 13	.812
- 4 - 14	- 5 - 14	- 6 - 14	- 7 - 14	- 8 - 14	- 9 - 14	- 10 - 14	.875
- 4 - 15	- 5 - 15	- 6 - 15	- 7 - 15	- 8 - 15	- 9 - 15	- 10 - 15	.937
- 4 - 16	- 5 - 16	- 6 - 16	- 7 - 16	- 8 - 16	- 9 - 16	- 10 - 16	1.000
- 4 - 17	- 5 - 17	- 6 - 17	- 7 - 17	- 8 - 17	- 9 - 17	- 10 - 17	1.062
- 4 - 18	- 5 - 18	- 6 - 18	- 7 - 18	- 8 - 18	- 9 - 18	- 10 - 18	1.125
- 4 - 19	- 5 - 19	- 6 - 19	- 7 - 19	- 8 - 19	- 9 - 19	- 10 - 19	1.187
- 4 - 20	- 5 - 20	- 6 - 20	- 7 - 20	- 8 - 20	- 9 - 20	- 10 - 20	1.250
- 4 - 21	- 5 - 21	- 6 - 21	- 7 - 21	- 8 - 21	- 9 - 21	- 10 - 21	1.312
- 4 - 22	- 5 - 22	- 6 - 22	- 7 - 22	- 8 - 22	- 9 - 22	- 10 - 22	1.375
- 4 - 23	- 5 - 23	- 6 - 23	- 7 - 23	- 8 - 23	- 9 - 23	- 10 - 23	1.437
- 4 - 24	- 5 - 24	- 6 - 24	- 7 - 24	- 8 - 24	- 9 - 24	- 10 - 24	1.500
- 4 - 25	- 5 - 25	- 6 - 25	- 7 - 25	- 8 - 25	- 9 - 25	- 10 - 25	1.562
- 4 - 26	- 5 - 26	- 6 - 26	- 7 - 26	- 8 - 26	- 9 - 26	- 10 - 26	1.625
- 4 - 27	- 5 - 27	- 6 - 27	- 7 - 27	- 8 - 27	- 9 - 27	- 10 - 27	1.687
- 4 - 28	- 5 - 28	- 6 - 28	- 7 - 28	- 8 - 28	- 9 - 28	- 10 - 28	1.750


TABLE 3

.1640-32 SIZE FIRST DASH NO. -08							
G GRIP							L LENGTH
.125	.156	.187	.218	.250	.281	.312	
- 4 - 5	- 5 - 5	-----	-----	-----	-----	-----	.312
- 4 - 6	- 5 - 6	- 6 - 6	- 7 - 6	-----	-----	-----	.375
- 4 - 7	- 5 - 7	- 6 - 7	- 7 - 7	- 8 - 7	-----	-----	.437
- 4 - 8	- 5 - 8	- 6 - 8	- 7 - 8	- 8 - 8	- 9 - 8	-----	.500
- 4 - 9	- 5 - 9	- 6 - 9	- 7 - 9	- 8 - 9	- 9 - 9	- 10 - 9	.562
- 4 - 10	- 5 - 10	- 6 - 10	- 7 - 10	- 8 - 10	- 9 - 10	- 10 - 10	.625
- 4 - 11	- 5 - 11	- 6 - 11	- 7 - 11	- 8 - 11	- 9 - 11	- 10 - 11	.687
- 4 - 12	- 5 - 12	- 6 - 12	- 7 - 12	- 8 - 12	- 9 - 12	- 10 - 12	.750
- 4 - 13	- 5 - 13	- 6 - 13	- 7 - 13	- 8 - 13	- 9 - 13	- 10 - 13	.812
- 4 - 14	- 5 - 14	- 6 - 14	- 7 - 14	- 8 - 14	- 9 - 14	- 10 - 14	.875
- 4 - 15	- 5 - 15	- 6 - 15	- 7 - 15	- 8 - 15	- 9 - 15	- 10 - 15	.937
- 4 - 16	- 5 - 16	- 6 - 16	- 7 - 16	- 8 - 16	- 9 - 16	- 10 - 16	1.000
- 4 - 17	- 5 - 17	- 6 - 17	- 7 - 17	- 8 - 17	- 9 - 17	- 10 - 17	1.062
- 4 - 18	- 5 - 18	- 6 - 18	- 7 - 18	- 8 - 18	- 9 - 18	- 10 - 18	1.125
- 4 - 19	- 5 - 19	- 6 - 19	- 7 - 19	- 8 - 19	- 9 - 19	- 10 - 19	1.187
- 4 - 20	- 5 - 20	- 6 - 20	- 7 - 20	- 8 - 20	- 9 - 20	- 10 - 20	1.250
- 4 - 21	- 5 - 21	- 6 - 21	- 7 - 21	- 8 - 21	- 9 - 21	- 10 - 21	1.312
- 4 - 22	- 5 - 22	- 6 - 22	- 7 - 22	- 8 - 22	- 9 - 22	- 10 - 22	1.375
- 4 - 23	- 5 - 23	- 6 - 23	- 7 - 23	- 8 - 23	- 9 - 23	- 10 - 23	1.437
- 4 - 24	- 5 - 24	- 6 - 24	- 7 - 24	- 8 - 24	- 9 - 24	- 10 - 24	1.500
- 4 - 25	- 5 - 25	- 6 - 25	- 7 - 25	- 8 - 25	- 9 - 25	- 10 - 25	1.562
- 4 - 26	- 5 - 26	- 6 - 26	- 7 - 26	- 8 - 26	- 9 - 26	- 10 - 26	1.625
- 4 - 27	- 5 - 27	- 6 - 27	- 7 - 27	- 8 - 27	- 9 - 27	- 10 - 27	1.687
- 4 - 28	- 5 - 28	- 6 - 28	- 7 - 28	- 8 - 28	- 9 - 28	- 10 - 28	1.750

MANUFACTURE OF THE PROPRIETARY PARTS SHOWN HERE WITHOUT WRITTEN CONSENT IS ABSOLUTELY PROHIBITED

THIS DRAWING EMBODIES A CONFIDENTIAL, PROPRIETARY DESIGN & ALL DESIGN, MANUFACTURING PRODUCTION, USE & SALE RIGHTS REGARDING SAME ARE EXPRESSLY RESERVED.

INTERIM DOCUMENT REVISION		
Rev.	Date	DAF#
D1	10/8/2018	117431

APPROVED DATE 20 FEB 91	CURRENT DESIGN ACTIVITY:  ARCONIC Arconic Fastening Systems	TITLE: SCREW, CAPTIVE, 100° HEAD, CRES, 155 KSI	CURRENT DESIGN ACTIVITY: CAGE CODE: 29372
REV. LETTER AND DATE D 28 FEB 13	TRIDAIR PRODUCTS 3000 W. LOMITA BLVD. TORRANCE, CA 90505	UNLESS OTHERWISE SPECIFIED DIMENSIONS ARE IN INCHES & ASME Y14.5M TOLERANCES: ANGLES DECIMALS .XX = ±.02 .XXX = ±.010	SALES DRAWING NO. CA2229-()-()-()
DAF NUMBER DAF 403670			SHEET 2 OF 4

S43266

MANUFACTURE OF THE PROPRIETARY PARTS SHOWN HERE WITHOUT WRITTEN CONSENT IS ABSOLUTELY PROHIBITED

THIS DRAWING EMBODIES A CONFIDENTIAL, PROPRIETARY DESIGN & ALL DESIGN, MANUFACTURING PRODUCTION, USE & SALE RIGHTS REGARDING SAME ARE EXPRESSLY RESERVED.

TABLE 4

.1900-32 SIZE FIRST DASH NO. -10							
G GRIP							L LENGTH
.125	.156	.187	.218	.250	.281	.312	
- 4 - 5	- 5 - 5	-----	-----	-----	-----	-----	.312
- 4 - 6	- 5 - 6	- 6 - 6	- 7 - 6	-----	-----	-----	.375
- 4 - 7	- 5 - 7	- 6 - 7	- 7 - 7	- 8 - 7	-----	-----	.437
- 4 - 8	- 5 - 8	- 6 - 8	- 7 - 8	- 8 - 8	- 9 - 8	-----	.500
- 4 - 9	- 5 - 9	- 6 - 9	- 7 - 9	- 8 - 9	- 9 - 9	- 10 - 9	.562
- 4 - 10	- 5 - 10	- 6 - 10	- 7 - 10	- 8 - 10	- 9 - 10	- 10 - 10	.625
- 4 - 11	- 5 - 11	- 6 - 11	- 7 - 11	- 8 - 11	- 9 - 11	- 10 - 11	.687
- 4 - 12	- 5 - 12	- 6 - 12	- 7 - 12	- 8 - 12	- 9 - 12	- 10 - 12	.750
- 4 - 13	- 5 - 13	- 6 - 13	- 7 - 13	- 8 - 13	- 9 - 13	- 10 - 13	.812
- 4 - 14	- 5 - 14	- 6 - 14	- 7 - 14	- 8 - 14	- 9 - 14	- 10 - 14	.875
- 4 - 15	- 5 - 15	- 6 - 15	- 7 - 15	- 8 - 15	- 9 - 15	- 10 - 15	.937
- 4 - 16	- 5 - 16	- 6 - 16	- 7 - 16	- 8 - 16	- 9 - 16	- 10 - 16	1.000
- 4 - 17	- 5 - 17	- 6 - 17	- 7 - 17	- 8 - 17	- 9 - 17	- 10 - 17	1.062
- 4 - 18	- 5 - 18	- 6 - 18	- 7 - 18	- 8 - 18	- 9 - 18	- 10 - 18	1.125
- 4 - 19	- 5 - 19	- 6 - 19	- 7 - 19	- 8 - 19	- 9 - 19	- 10 - 19	1.187
- 4 - 20	- 5 - 20	- 6 - 20	- 7 - 20	- 8 - 20	- 9 - 20	- 10 - 20	1.250
- 4 - 21	- 5 - 21	- 6 - 21	- 7 - 21	- 8 - 21	- 9 - 21	- 10 - 21	1.312
- 4 - 22	- 5 - 22	- 6 - 22	- 7 - 22	- 8 - 22	- 9 - 22	- 10 - 22	1.375
- 4 - 23	- 5 - 23	- 6 - 23	- 7 - 23	- 8 - 23	- 9 - 23	- 10 - 23	1.437
- 4 - 24	- 5 - 24	- 6 - 24	- 7 - 24	- 8 - 24	- 9 - 24	- 10 - 24	1.500
- 4 - 25	- 5 - 25	- 6 - 25	- 7 - 25	- 8 - 25	- 9 - 25	- 10 - 25	1.562
- 4 - 26	- 5 - 26	- 6 - 26	- 7 - 26	- 8 - 26	- 9 - 26	- 10 - 26	1.625
- 4 - 27	- 5 - 27	- 6 - 27	- 7 - 27	- 8 - 27	- 9 - 27	- 10 - 27	1.687
- 4 - 28	- 5 - 28	- 6 - 28	- 7 - 28	- 8 - 28	- 9 - 28	- 10 - 28	1.750

TABLE 5

.2500-28 SIZE FIRST DASH NO. -4						
G GRIP						L LENGTH
.156	.187	.218	.250	.281	.312	
- 5 - 7	- 6 - 7	- 7 - 7	- 8 - 7	-----	-----	.437
- 5 - 8	- 6 - 8	- 7 - 8	- 8 - 8	- 9 - 8	-----	.500
- 5 - 9	- 6 - 9	- 7 - 9	- 8 - 9	- 9 - 9	- 10 - 9	.562
- 5 - 10	- 6 - 10	- 7 - 10	- 8 - 10	- 9 - 10	- 10 - 10	.625
- 5 - 11	- 6 - 11	- 7 - 11	- 8 - 11	- 9 - 11	- 10 - 11	.687
- 5 - 12	- 6 - 12	- 7 - 12	- 8 - 12	- 9 - 12	- 10 - 12	.750
- 5 - 13	- 6 - 13	- 7 - 13	- 8 - 13	- 9 - 13	- 10 - 13	.812
- 5 - 14	- 6 - 14	- 7 - 14	- 8 - 14	- 9 - 14	- 10 - 14	.875
- 5 - 15	- 6 - 15	- 7 - 15	- 8 - 15	- 9 - 15	- 10 - 15	.937
- 5 - 16	- 6 - 16	- 7 - 16	- 8 - 16	- 9 - 16	- 10 - 16	1.000
- 5 - 17	- 6 - 17	- 7 - 17	- 8 - 17	- 9 - 17	- 10 - 17	1.062
- 5 - 18	- 6 - 18	- 7 - 18	- 8 - 18	- 9 - 18	- 10 - 18	1.125
- 5 - 19	- 6 - 19	- 7 - 19	- 8 - 19	- 9 - 19	- 10 - 19	1.187
- 5 - 20	- 6 - 20	- 7 - 20	- 8 - 20	- 9 - 20	- 10 - 20	1.250
- 5 - 21	- 6 - 21	- 7 - 21	- 8 - 21	- 9 - 21	- 10 - 21	1.312
- 5 - 22	- 6 - 22	- 7 - 22	- 8 - 22	- 9 - 22	- 10 - 22	1.375
- 5 - 23	- 6 - 23	- 7 - 23	- 8 - 23	- 9 - 23	- 10 - 23	1.437
- 5 - 24	- 6 - 24	- 7 - 24	- 8 - 24	- 9 - 24	- 10 - 24	1.500
- 5 - 25	- 6 - 25	- 7 - 25	- 8 - 25	- 9 - 25	- 10 - 25	1.562
- 5 - 26	- 6 - 26	- 7 - 26	- 8 - 26	- 9 - 26	- 10 - 26	1.625
- 5 - 27	- 6 - 27	- 7 - 27	- 8 - 27	- 9 - 27	- 10 - 27	1.687
- 5 - 28	- 6 - 28	- 7 - 28	- 8 - 28	- 9 - 28	- 10 - 28	1.750

INTERIM DOCUMENT REVISION		
Rev.	Date	DAF#
D1	10/8/2018	117431

S-43266

APPROVED DATE 20 FEB 91
REV. LETTER AND DATE D 28 FEB 13
DAF NUMBER DAF 103670

CURRENT DESIGN ACTIVITY:



ARCONIC
 Arconic Fastening Systems
TRIDAIR PRODUCTS
 3000 W. LOMITA BLVD.
 TORRANCE, CA 90505

TITLE:
**SCREW, CAPTIVE, 100° HEAD,
 CRES, 155 KSI**

UNLESS OTHERWISE SPECIFIED
 DIMENSIONS ARE IN INCHES &
 ASME Y14.5M TOLERANCES:

ANGLES = ±3°
 DECIMALS .XX = ±.02
 .XXX = ±.010

CURRENT DESIGN ACTIVITY:
CAGE CODE: 29372

SALES DRAWING NO.
CA2229-()-()-()

SHEET 3 OF 4

MANUFACTURE OF THE PROPRIETARY PARTS SHOWN HERE WITHOUT WRITTEN CONSENT IS ABSOLUTELY PROHIBITED

THIS DRAWING EMBODIES A CONFIDENTIAL, PROPRIETARY DESIGN & ALL DESIGN, MANUFACTURING PRODUCTION, USE & SALE RIGHTS REGARDING SAME ARE EXPRESSLY RESERVED.

TABLE 6

.3125-24 SIZE FIRST DASH NO. -5					
G GRIP					L
.187	.218	.250	.281	.312	LENGTH
-6-7	-7-7	-----	-----	-----	.437
-6-8	-7-8	-8-8	-9-8	-----	.500
-6-9	-7-9	-8-9	-9-9	-10-9	.562
-6-10	-7-10	-8-10	-9-10	-10-10	.625
-6-11	-7-11	-8-11	-9-11	-10-11	.687
-6-12	-7-12	-8-12	-9-12	-10-12	.750
-6-13	-7-13	-8-13	-9-13	-10-13	.812
-6-14	-7-14	-8-14	-9-14	-10-14	.875
-6-15	-7-15	-8-15	-9-15	-10-15	.937
-6-16	-7-16	-8-16	-9-16	-10-16	1.000
-6-17	-7-17	-8-17	-9-17	-10-17	1.062
-6-18	-7-18	-8-18	-9-18	-10-18	1.125
-6-19	-7-19	-8-19	-9-19	-10-19	1.187
-6-20	-7-20	-8-20	-9-20	-10-20	1.250
-6-21	-7-21	-8-21	-9-21	-10-21	1.312
-6-22	-7-22	-8-22	-9-22	-10-22	1.375
-6-23	-7-23	-8-23	-9-23	-10-23	1.437
-6-24	-7-24	-8-24	-9-24	-10-24	1.500
-6-25	-7-25	-8-25	-9-25	-10-25	1.562
-6-26	-7-26	-8-26	-9-26	-10-26	1.625
-6-27	-7-27	-8-27	-9-27	-10-27	1.687
-6-28	-7-28	-8-28	-9-28	-10-28	1.750

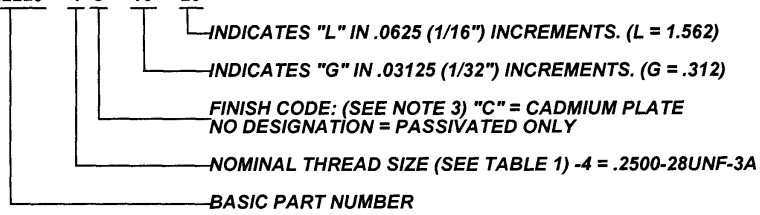
TABLE 7

.3750-24 SIZE FIRST DASH NO. -6				
G GRIP				L
.218	.250	.281	.312	LENGTH
-7-7	-----	-----	-----	.437
-7-8	-8-8	-9-8	-----	.500
-7-9	-8-9	-9-9	-10-9	.562
-7-10	-8-10	-9-10	-10-10	.625
-7-11	-8-11	-9-11	-10-11	.687
-7-12	-8-12	-9-12	-10-12	.750
-7-13	-8-13	-9-13	-10-13	.812
-7-14	-8-14	-9-14	-10-14	.875
-7-15	-8-15	-9-15	-10-15	.937
-7-16	-8-16	-9-16	-10-16	1.000
-7-17	-8-17	-9-17	-10-17	1.062
-7-18	-8-18	-9-18	-10-18	1.125
-7-19	-8-19	-9-19	-10-19	1.187
-7-20	-8-20	-9-20	-10-20	1.250
-7-21	-8-21	-9-21	-10-21	1.312
-7-22	-8-22	-9-22	-10-22	1.375
-7-23	-8-23	-9-23	-10-23	1.437
-7-24	-8-24	-9-24	-10-24	1.500
-7-25	-8-25	-9-25	-10-25	1.562
-7-26	-8-26	-9-26	-10-26	1.625
-7-27	-8-27	-9-27	-10-27	1.687
-7-28	-8-28	-9-28	-10-28	1.750

NOTES; UNLESS OTHERWISE SPECIFIED:

1. MATERIAL: 17-4PH CRES PER AMS5643.
2. HEAT TREAT: CONDITION H1025 PER AMS2759.
3. FINISH:
 - 3.1 PASSIVATED PER AMS2700.
 - 3.2 CADMIUM PLATED PER AMS-QQ-P-416 TYPE II, CLASS 2 DESIGNATED BY LETTER "C".
4. HEAD: 100° FLUSH HEAD PER NAS1102.
- <5> PART MARKING: HEAD OF SCREW TO BE MARKED WITH TRIDAIR LOGO, FIRST, SECOND AND THIRD DASH NUMBERS DEPRESSED .010 MAXIMUM DEPTH.
6. SCREW TO BE USED WITH CA2210-()R RETAINING RING TO CAPTIVATE TO PANEL.
7. PANEL PREPARATION: REFER TO CAL-STD-0260.
8. INSTALLATION: REFER TO ALCOA FASTENING SYSTEMS DRAWING NUMBER CA2210T-().
- <9> TENSILE AND SHEAR STRENGTHS ARE CALCULATED VALUES.

10. PART CALLOUT EXAMPLE:
10.1 CA2229 - 4 C - 10 - 25



INTERIM DOCUMENT REVISION		
Rev.	Date	DAF#
D1	10/8/2018	117431

APPROVED DATE 20 FEB 91 REV. LETTER AND DATE D 20 FEB 13 DAF NUMBER DAF 103670	CURRENT DESIGN ACTIVITY: ARCONIC Arconic Fastening Systems TRIDAIR PRODUCTS 3000 W. LOMITA BLVD. TORRANCE, CA 90505	TITLE: SCREW, CAPTIVE, 100° HEAD, CRES, 155 KSI	CURRENT DESIGN ACTIVITY: CAGE CODE: 29372 SALES DRAWING NO. CA2229-()-()-() SHEET 4 OF 4
UNLESS OTHERWISE SPECIFIED DIMENSIONS ARE IN INCHES & ASME Y14.5M TOLERANCES:		ANGLES DECIMALS .XX = ±.02 .XXX = ±.010	